

The FRP EnviTube pressure vessels are membrane housings for critical and demanding water applications such as desalination, reverse osmosis (RO) and a wide range of demanding water treatment applications. With the best industry practices and the highest quality standards applied to continuous innovation, EnviTube FRP pressure vessels feature threaded ports, a quick lock system, flat sealing and multi-porting facilities, fail-safe shells and a single-piece head.

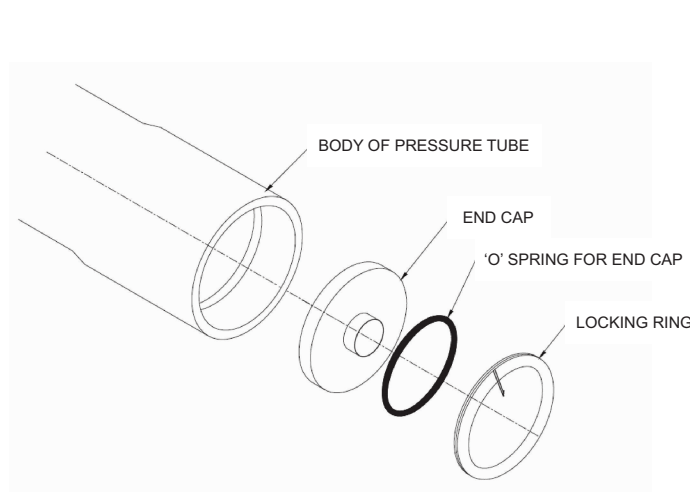
### FEATURES

- Available in 2.5", 4" and 8" end port, side port and multi port configurations
- Pressure ratings of 150 psi, 300 psi, 450 psi, 600 psi, 1000 psi, 1200 psi
- User friendly design of end cap assembly with single piece moulded seal plate, high quality seal ring, heavy duty aluminium bearing plate and stainless steel locking ring to enable easy removal and insertion of the end cap without any special tools
- Mirror finish internal diameter with tolerance of  $\pm 0.02$  mm to facilitate easy loading & unloading of membranes
- Meets ASME standards, all drawings available on request
- Highly polished external surface coated with high-glass polyurethane paints for UV resistance & aesthetics. All models supplied with saddle and SS straps, Victaulic couplings available on request

### APPLICATIONS

- Commercial
- Industrial
- Municipal RO applications

PORT TYPE	OUTER DIAMETER (INCHES)	PSI RATING	NUMBER OF ELEMENTS	MODEL SELECTION
Side Port – (SP)	2.5"	150	1	Model number for EnviTube of side port for 2.5" outer diameter, having PSI rating of 450 and 6 elements, model number would be  <b>EnviTubeSP2.5 – 450 – 6</b>
End Port – (EP)	4"	300	2	
Multi Port – (MP)	8"	450	3	
		600	4	
		1000	5	
		1200	6	
		7		
			8	



#### HEAD OFFICE:

Arvind Envisol Ltd. Arvind Mill Premises, Naroda Road, Ahmedabad - 380025, India.

Toll Free No.: 1800 843 9988 • Email: sales@envisol.co.in

Mumbai • Pune • Hyderabad • Chennai • Delhi • Kolkata • Bengaluru